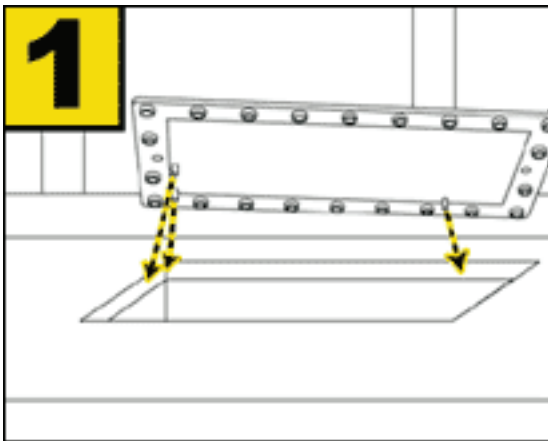


INSTALLATION GUIDE

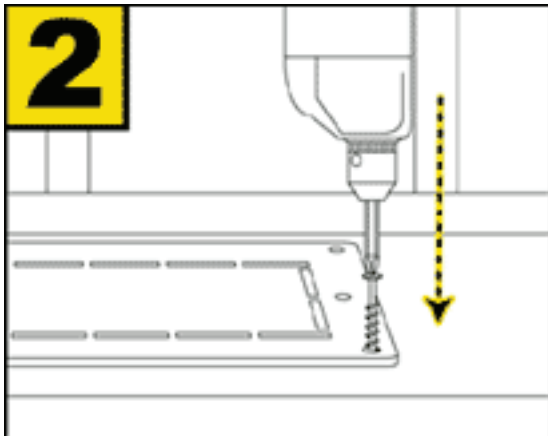


1. Use locator pins to align the Pro-Vent with the opening.

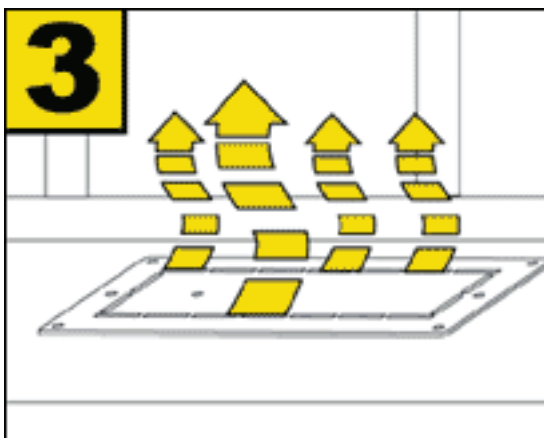
2. Fasten the Pro-Vent to the sub-floor using pan head screws (countersunk screws will split the mounting holes).

a. For concrete floors, use silicon adhesive at the mounting holes. Do not run a bead around the edge, because you will block the airflow.

b. For decorative wood floor, tack the Pro-Vent in place through using interior mounting holes. We recommend using a narrow gage trim nail.



3. Let the Pro-Vent go to work! Remove on finish and install it on the next job.



NOTE: The Pro-Vent part can be washed for re-use in warm, soapy water.